

# RSFK3740P060B1

## FBAR Filter

### Description

- ✧ Miniature size 0.80mm x 0.80mm x 0.22mm
- ✧ Ultra low weight
- ✧ Assembly using mounting and bonding technology
- ✧ Low Insertion loss, High Stopband Rejection
- ✧ Chip has 5 terminals, input , output ports and 3 GND terminals

### Specification after Assembly

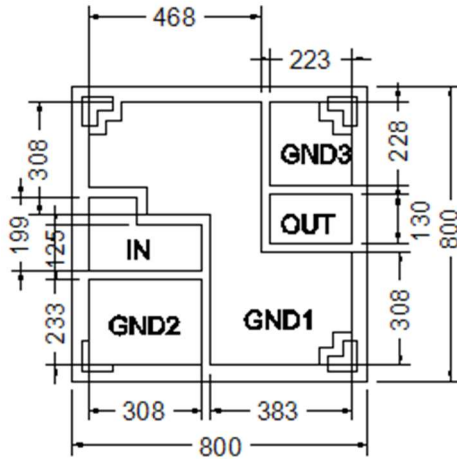
Operating Temperature range: -55 to +85°C

Item	Min	Typ	Max
Center Freq( $f_0$ : MHz)	-	3740	-
Band Width(BW : MHz)	60	-	-
Insertion Loss(@ $f_0 \pm 30$ MHz IL : dB)	-	2.5	3.0
Ripple( $f_0 \pm 30$ MHz)	-	0.8	1.5
VSWR( $f_0 \pm 30$ MHz)	-	1.8	2.0
<b>Stopband Attenuation</b>			
DC~3560MHz (dBc)	30	32	-
110~170MHz (dBc)	30	35	-
3560~3600MHz (dBc)	15	17	-
3600~3620MHz (dBc)	5	8	-
3880~4610MHz(dBc)	38	41	-
Power(W), CW Wave,50 $\Omega$	1	-	-

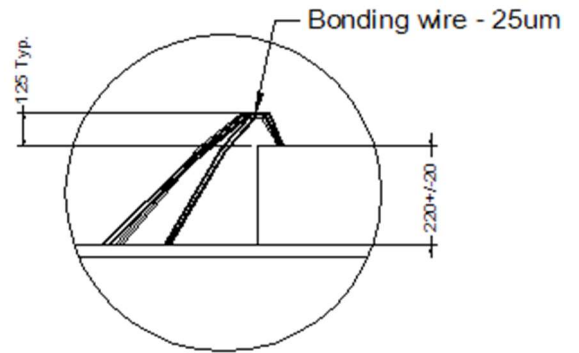
# RSFK3740P060B1

FBAR Filter

## Chip Outline Drawing(Unit: $\mu\text{m}$ )



Top View



Detail A

## Typical Performance after Assembly at $T_c=25^\circ\text{C}$

