

RSFK3600X020B1

FBAR Filter

Description

- ✧ Miniature size 1.05mm x 1.05mm x 0.4mm
- ✧ Ultra low weight
- ✧ Assembly using mounting and bonding technology
- ✧ Low Insertion loss, High Stopband Rejection
- ✧ Chip has 5 terminals, input , output ports and 3 GND terminals

Specification after Assembly

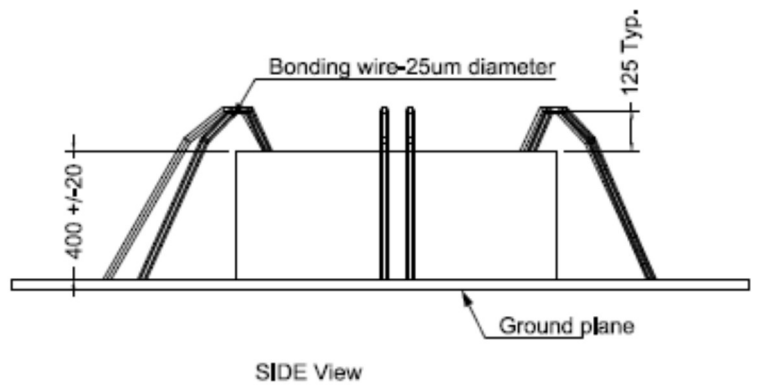
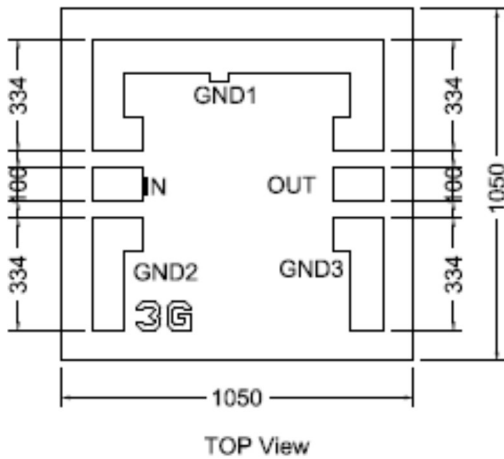
Operating Temperature range: -55 to +85°C

Item	Min	Typ	Max
Center Freq(f0 : MHz)	-	3600	-
BW(MHz)@1dB	20	-	-
Insertion Loss@f ₀ (IL : dB)	-	2.5	3
VSWR(f ₀ ±10 MHz)	-	1.5	2
Stopband Attenuation			
f ₀ -70MHz(dB)	45	48	-
f ₀ +70MHz (dB)	45	48	-

RSFK3600X020B1

FBAR Filter

Chip Outline Drawing(Unit: μm)



Typical Performance after Assembly at $T_c=25^\circ\text{C}$

