

RSFK1995X030B1

FBAR Filter



Description

- ✧ Miniature size 1.15mm x 1.15mm x 0.40mm
- ✧ Ultra low weight
- ✧ Assembly using mounting and bonding technology
- ✧ Low Insertion loss, High Stopband Rejection
- ✧ Chip has 5 terminals, input , output ports and 3 GND terminals

Specification after Assembly

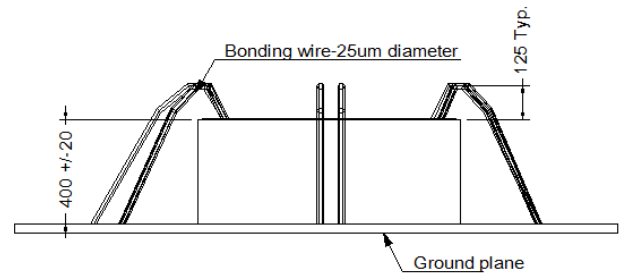
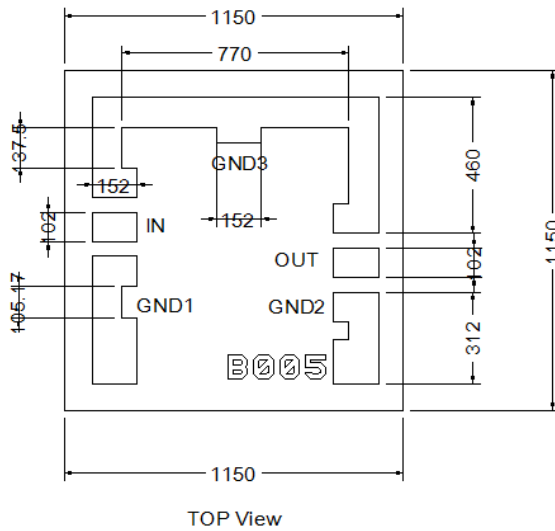
Operating Temperature range: -55 to +85°C

Item	Min	Typ	Max
Center Freq(f_0 : MHz)	-	1995	-
Band Width(BW : MHz)	30	-	-
Insertion Loss($f_0 \pm 15$ MHz,dB)	-	1.8	2.0
Ripple($f_0 \pm 15$ MHz ,dB)	-	1.0	1.5
VSWR($f_0 \pm 15$ MHz)	-	1.8	2.0
Absolute Attenuation			
$f_0 + 35$ MHz (dBc)	25	-	-
$f_0 - 35$ MHz (dBc)	25	-	-
Power(W), CW Wave,50 Ω	2	-	-

RSFK1995X030B1

FBAR Filter

Chip Outline Drawing(Unit: μm)



Typical Performance after Assembly at $T_c=25^\circ\text{C}$

